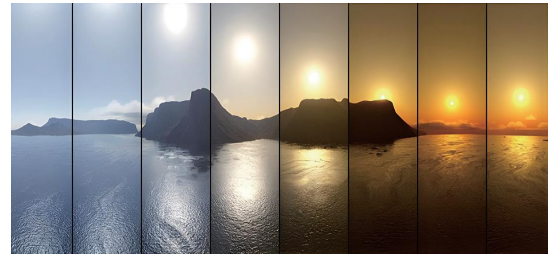


# Sun Simulator Light



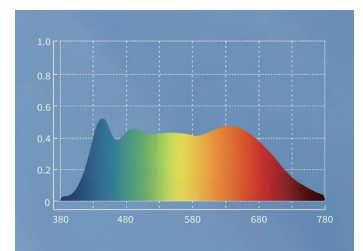
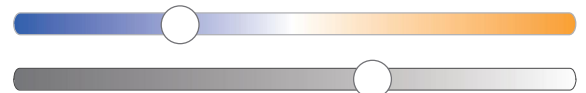
Under the sky, human beings and nature coexist for millions of years. Sunshine, air and water are called the three elements of life, which play a vital role in people's physical and mental health. Sky lighting, the sun simulator, can be simulated indoor sunlight, anytime and anywhere for people to bring sunlight.



01



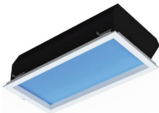
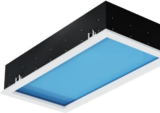
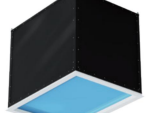



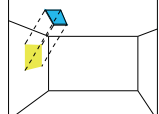
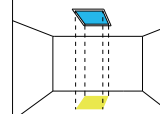
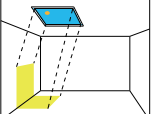
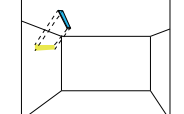
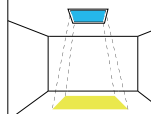
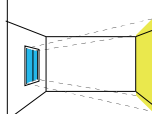
## Smart Control



# Sun Simulator Light

## Applications



Serial Number	D Series	E Series	T Series	L Series	P Series	X Series
Product Picture						
Angle of emergence Schematic drawing	 Oblique Illumination	 Straight Illumination	 Oblique Illumination	 Oblique Illumination	 Straight Illumination	 Straight Illumination
Blue sky	●	●	●	●	●	●
White cloud	○	●	○	○	○	○
Sun	○	○	●	○	○	○
Facula line	○	○	●	○	○	○
Design Recommendation	Oblique Illumination Angle is 30°	Straight Illumination Sun Follow up	Oblique Illumination seen that the lightspots on the sun Sun follow up Spot Line Visible	Linear Lighting Angle is 30°	Sky Light	Window Light

# Sun Simulator Light

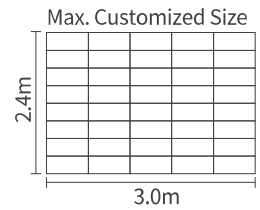


P&X series

03



## Ultra thin P Series



Ceiling Frame

- ☒ C Shaped Reflection
- ☒ Customizable Frame Outlook

## Window X Series



- ☒ L Shaped Reflection
- ☒ Customizable Frame Outlook

## Recommended Control:

• Remote Control



• Smart Control



No Flicker



Ra93



30000h



100-240V



For Indoor

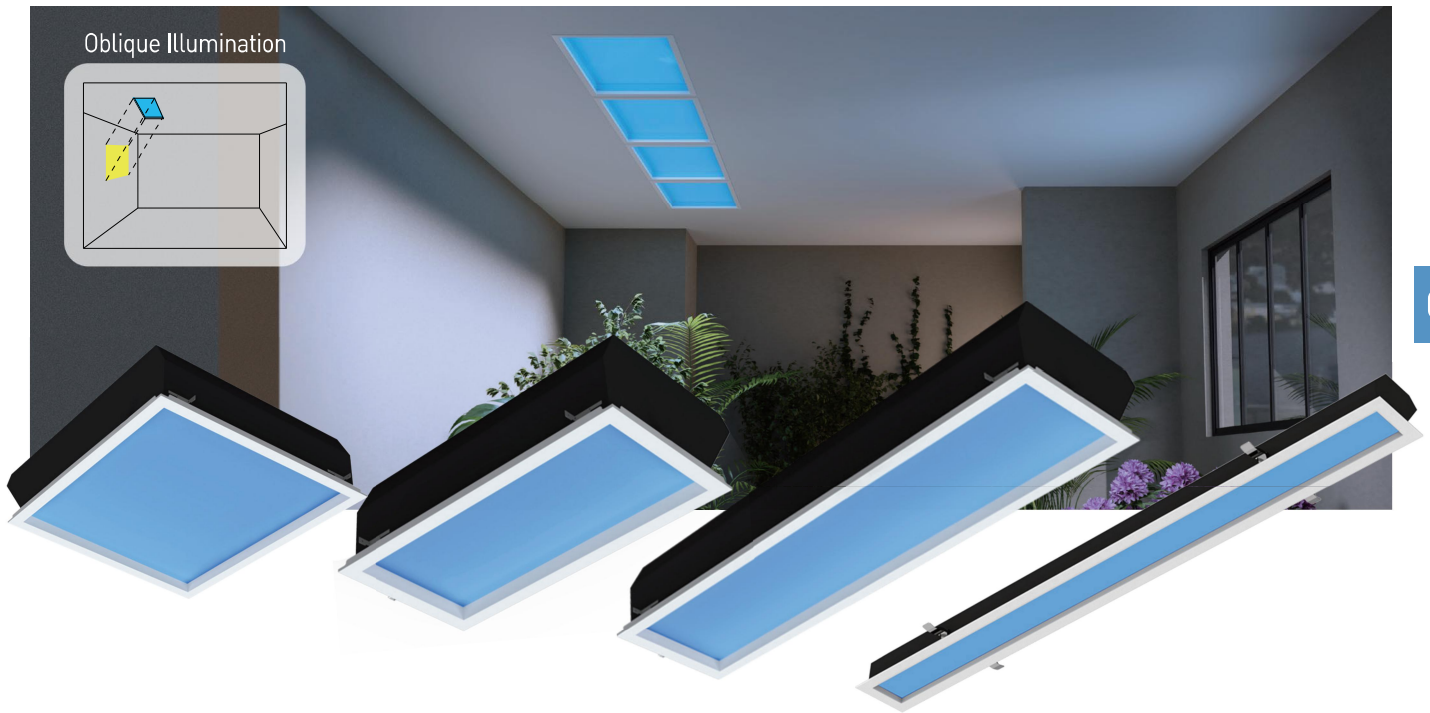


0.5

Model No. 产品规格	Dimension WxHxT(mm)	Rated Power 额定功率	Hole Size 开孔尺寸(mm)	Light Surface 发光面尺寸(mm)	Lumen 光通量	Color Temp. 色温	PCS/CTN 装箱数量	CTN MEAS. 装箱尺寸(cm)
XGYSSL-YRP3060-E45	582*282*36	45W	Used in conjunction with X1 keel	527*227	2500lm	2100-5700K	1	60.2*30.2*5.6
XGYSSL-YRX13078-E160	1332*781*60	160W	1332*771	4*[527*227]	10000lm	2100-5700K	1	135.2*80.1*8

# Sun Simulator Light

D&L series



04



No Flicker



Ra93



30000h



100-240V



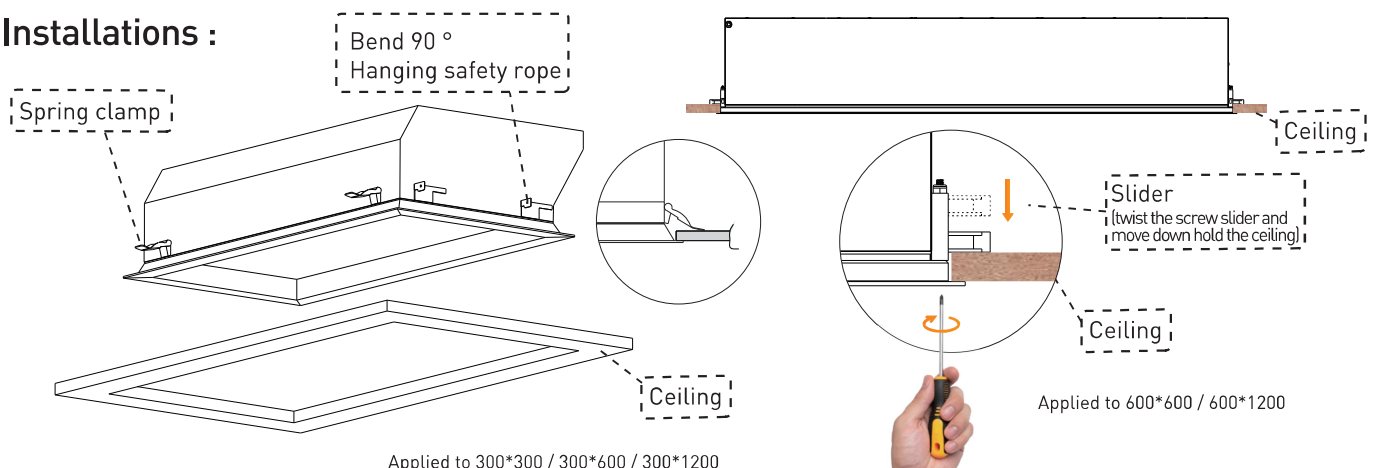
For Indoor



0.5

Model No. 产品规格	Dimension WxHxT(mm)	Rated Power 额定功率	Hole Size 开孔尺寸(mm)	Light Surface 发光面尺寸(mm)	Lumen 光通量	Color Temp. 色温	PCS/CTN 装箱数量	CTN MEAS. 装箱尺寸(cm)
XGYSSL-YRD3030-E25	300*300*150	25W	285*285	244*244	1000lm	2100-7800K	1	32*32*17
XGYSSL-YRD3060-E50	300*600*150	50W	285*585	244*544	2000lm	2100-7800K	1	62*32*17
XGYSSL-YRD30120-E100	300*1200*150	100W	285*1185	244*1144	4000lm	2100-7800K	1	122*32*17
XGYSSL-YRD6060-E75	600*600*295	75W	585*585	500*500	3000lm	2100-7800K	1	62*62*17
XGYSSL-YRD60120-E150	600*1200*295	150W	585*1185	500*1100	6000lm	2100-7800K	1	122*62*17
XGYSSL-YRL14115-E50	140*1150*86	50W	125*1135	86*1096	2000lm	2100-7800K	1	142*1170*90

## Installations :

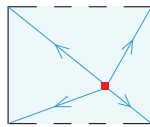
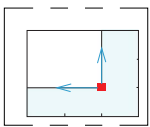


# Sun Simulator Light

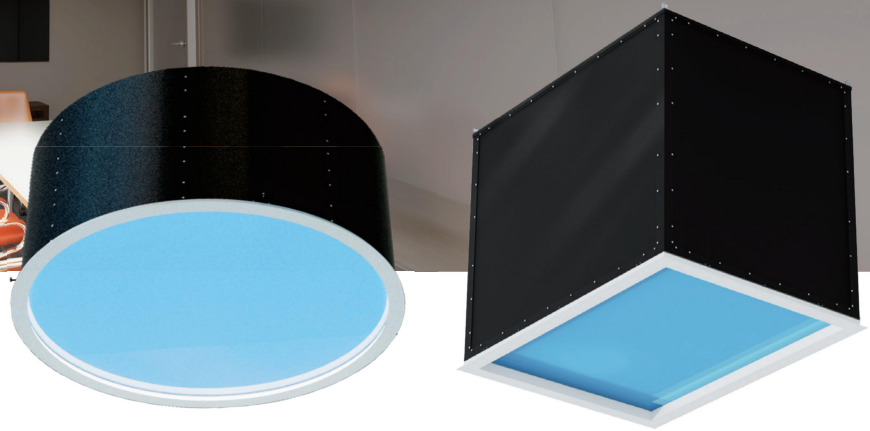


T series

05



■ LED Optical module    ← Light direction



No Flicker



Ra95



30000h



100-240V



For Indoor

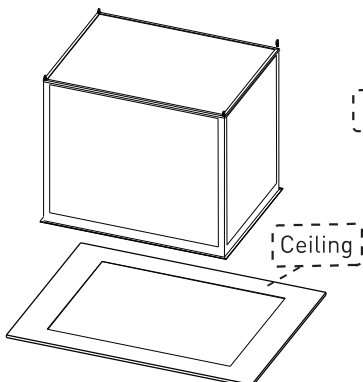


0.5

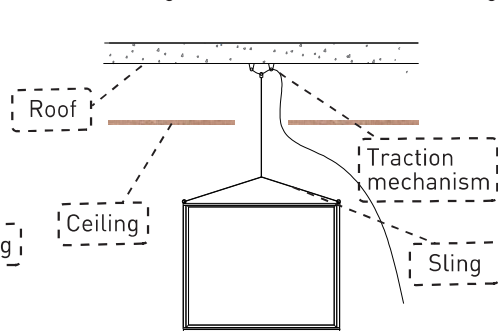
Model No. 产品规格	Dimension WxHxT(mm)	Rated Power 额定功率	Hole Size 开孔尺寸(mm)	Light Surface 发光面尺寸(mm)	Lumen 光通量	Color Temp. 色温	PCS/CTN 装箱数量	CTN MEAS. 装箱尺寸(cm)
XGYSSL-YRT6060-E300	600*600*450	300W	580*580	500*500	10000lm	6500K	1	62*62*47
XGYSSL-YRT94124-E500	940*1240*800	500W	1220*920	1120*820	20000lm	6500K	1	126*96*82
XGYSSL-YRT5060-E300	Φ600*380	300W	Φ585	Φ500	10000lm	6500K	1	62*62*40
XGYSSL-YRT100120-E500	Φ1200*680	500W	Φ1185	Φ1100	20000lm	6500K	1	122*120*70

## Installations :

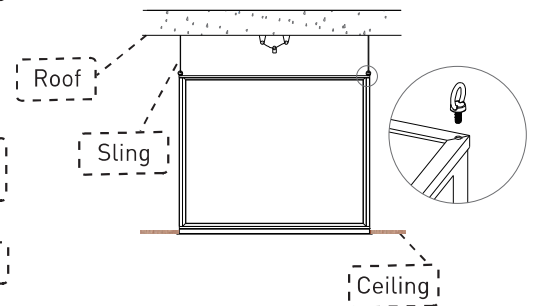
① Press the hole in the ceiling



② Attach a traction system to the top of the wall to raise the light fixtures to level with the ceiling



③ Fixed 4 safety Sling



### Warning:

The N.W. of the product is 50KG. Pay attention to the load-bearing installation. The ceiling height is reserved for >1.2M (Reserved maintenance port)