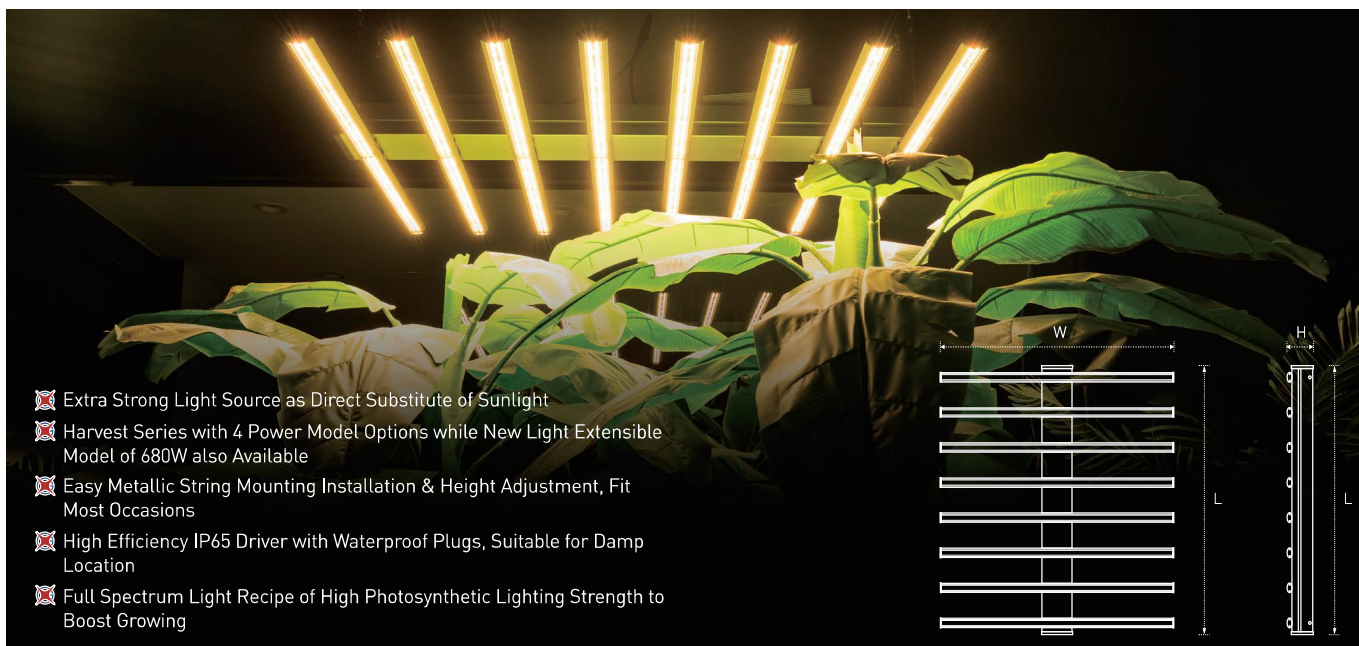


# Horticultural Lighting



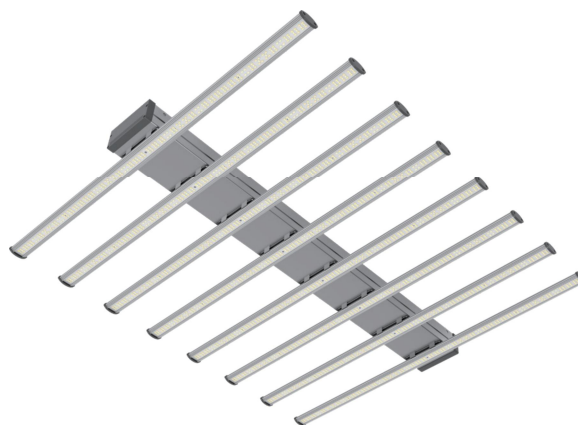
## LED Newlights Harvest Lamp



- Extra Strong Light Source as Direct Substitute of Sunlight
- Harvest Series with 4 Power Model Options while New Light Extensible Model of 680W also Available
- Easy Metallic String Mounting Installation & Height Adjustment, Fit Most Occasions
- High Efficiency IP65 Driver with Waterproof Plugs, Suitable for Damp Location
- Full Spectrum Light Recipe of High Photosynthetic Lighting Strength to Boost Growing



Foldable Model



860W Model  
8 Bars EFF2.3

01



No Flicker



Dimmable  
Option



Full  
Spectrum



50000h



For Indoor

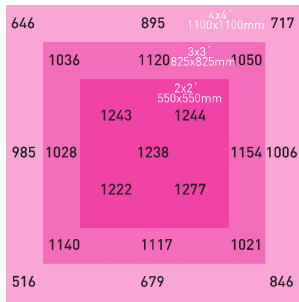


120°

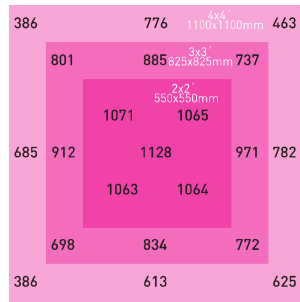
Model No. 产品规格	Dimension LxWxH(mm)	Rated Power 额定功率	Input Voltage 输入电压	Customized Lighting 定制光源方案	PPF 光合光子通量(400-700nm)	EFF(PPE) 光合光子通量效率(400-700nm)	PF 功率因素
XGYPGL-HV-E320	550*1130*114	320W	U: 100-277V	Full Spectrum	850 $\mu$ mol / s	2.3 $\mu$ mol / J	0.5   0.9
XGYPGL-HV-E640	1130*1130*114	640W	U: 100-277V	Full Spectrum	1,500 $\mu$ mol / s	2.3 $\mu$ mol / J	0.5   0.9
XGYPGL-HV-E860	1130*1130*114	860W	U: 100-277V	Full Spectrum	2,000 $\mu$ mol / s	2.3 $\mu$ mol / J	0.5   0.9
XGYPGL-HV-E1075	1130*1130*114	1075W	U: 100-277V	Full Spectrum	2,600 $\mu$ mol / s	2.3 $\mu$ mol / J	0.5   0.9
XGYPGL-NLE-E680	1100*1100*50	680W	U: 100-277V	Full Spectrum	1,600 $\mu$ mol / s	2.3 $\mu$ mol / J	0.5   0.9

Rated Power and Photometric Data are Subjected to Changes for Customized Chips

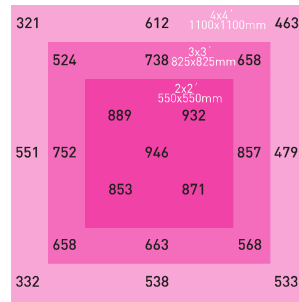
# PPFD:



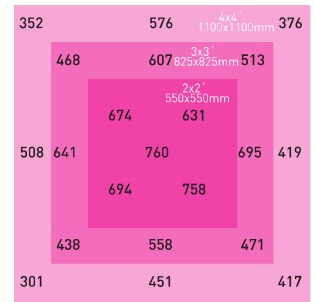
150mm Height



300mm Height

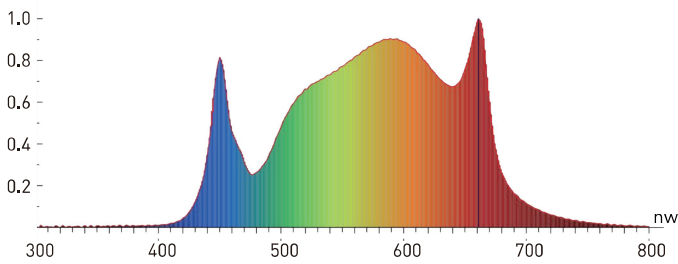


450mm Height

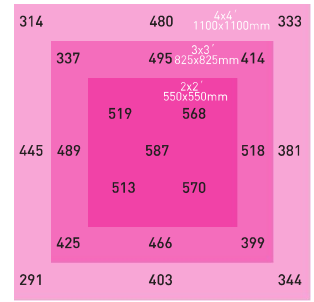


600mm Height

# Spectrum:

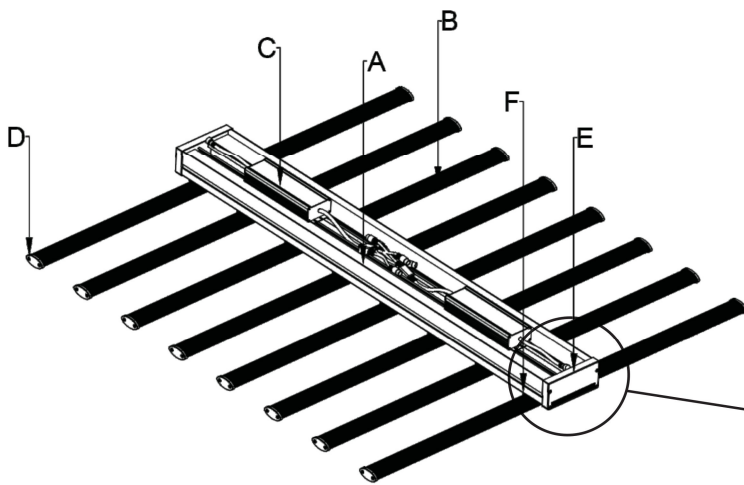


900mm Height

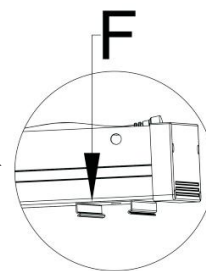


750mm Height

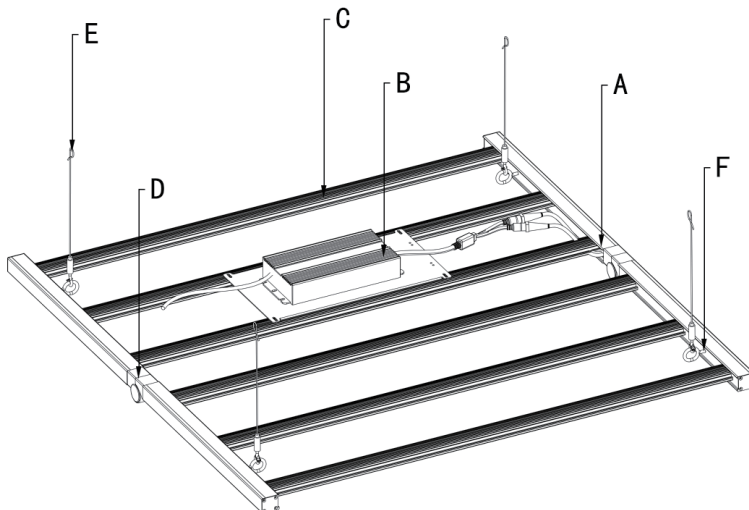
# Luminary Structure



- A: Circuit Box
- B: Aluminum Light Bar
- C: LED drivers (IP65)
- D: Heat Dissipation End Cap
- E: Circuit Box End Cap
- F: Fixing Clamps

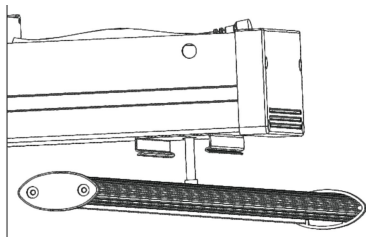


02



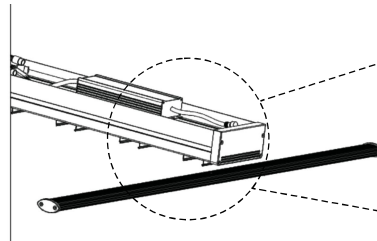
- A: Metallic Body Frame
- B: LED Drivers (IP65)
- C: Light Bars
- D: Folding Hinge Shaft
- E: Hanging Wire
- F: Hanging Hook

# Installations:



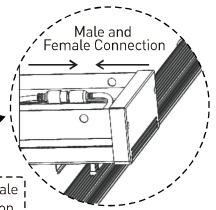
## Step1

Connect The Male Input Plug Of Light Bar Via The Preserved Whole Of The Circuit Box To Female Plug Of The Driver

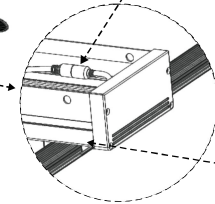


## Step2

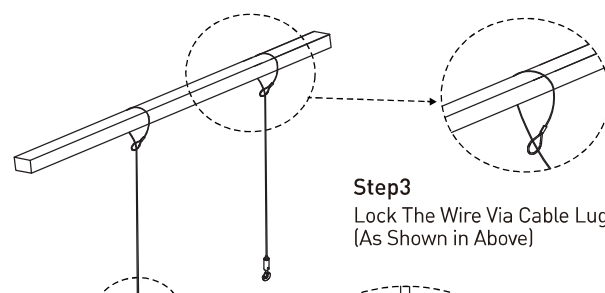
Fully Clamp The Light Bar Onto The Circuit Box



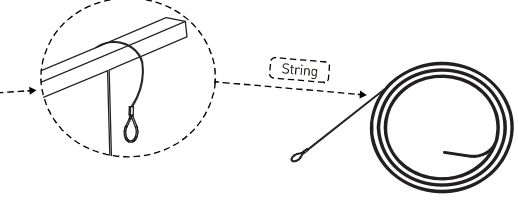
Male and Female Plug Connection



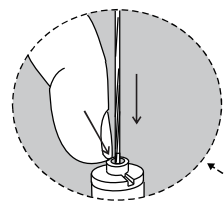
Light Bar Clamps Onto Circuit Box



Step3  
Lock The Wire Via Cable Lug  
(As Shown in Above)

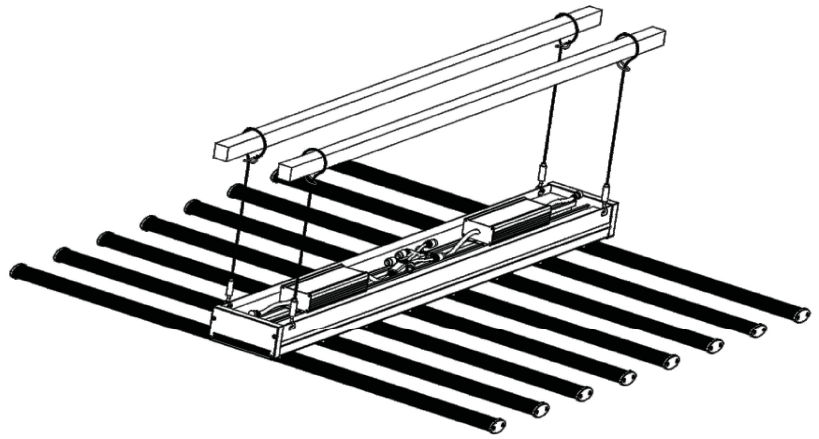
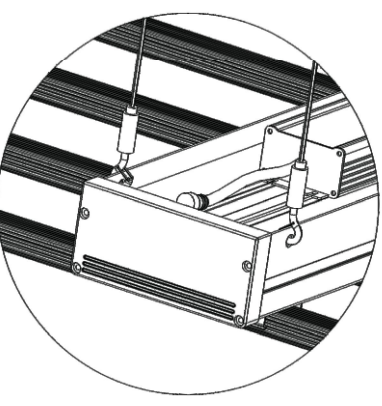


String



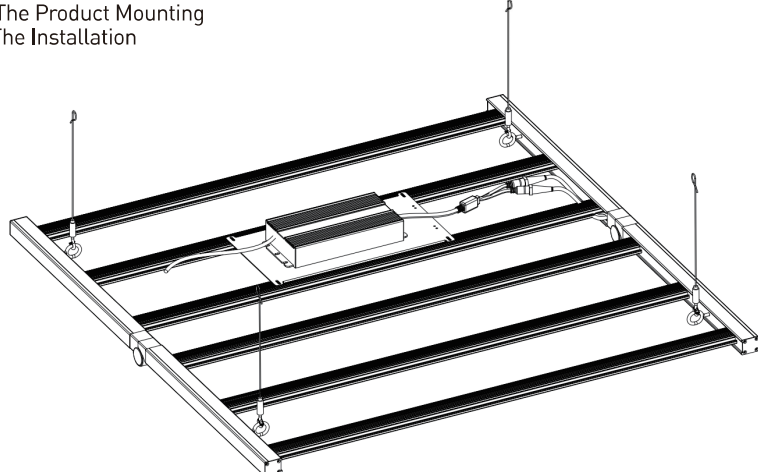
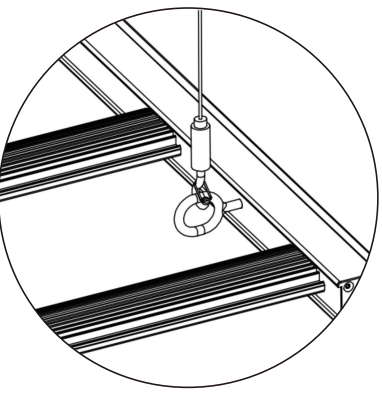
## Step4

Pushing The Hook To Adjust The Mounting Height Of The Fixture (As Shown On The Left)



## Step5

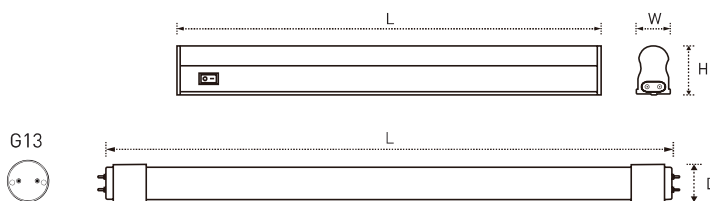
Place The Hook In The Product Mounting Hole To Complete The Installation



# Horticultural Lighting



## T8 Grow Tube & Linear Fixture



CE ErP 



04

Model No. 产品规格	Dimension (W*H)/DxL(mm)	Rated Power 额定功率	Input Voltage 输入电压	Customized Lighting 定制光源方案	PPF 光合光子通量(400-700nm)	EFF(PPE) 光合光子通量效率(400-700nm)	PF 功率因素
XGYPGL-T8102-E9	Φ26*590	9W	S: 180-265V U: 85-265V	R&B+Daylight Full Spectrum	13.5μmol / s	1.5μmol / J	0.5   0.9
XGYPGL-T8103-E12	Φ26*895	12W	S: 180-265V U: 85-265V	R&B+Daylight Full Spectrum	21μmol / s	1.8μmol / J	0.5   0.9
XGYPGL-T8104-E18	Φ26*1199	18W	S: 180-265V U: 85-265V	R&B+Daylight Full Spectrum	35μmol / s	1.9μmol / J	0.5   0.9
XGYPGL-T8105-E22	Φ26*1499	22W	S: 180-265V U: 85-265V	R&B+Daylight Full Spectrum	42μmol / s	1.9μmol / J	0.5   0.9
XGYPGL-T5F201-E5 XGYPGL-T5F701-E5	23*34*300	5W	S: 180-265V U: 85-265V	R&B+Daylight Full Spectrum	7.5μmol / s	1.5μmol / J	0.5   0.9
XGYPGL-T5F202-E9 XGYPGL-T5F702-E9	23*34*572	9W	S: 180-265V U: 85-265V	R&B+Daylight Full Spectrum	13.5μmol / s	1.5μmol / J	0.5   0.9
XGYPGL-T5F203-E12 XGYPGL-T5F703-E12	23*34*880	12W	S: 180-265V U: 85-265V	R&B+Daylight Full Spectrum	21μmol / s	1.8μmol / J	0.5   0.9
XGYPGL-T5F204-E18 XGYPGL-T5F704-E18	23*34*1178	18W	S: 180-265V U: 85-265V	R&B+Daylight Full Spectrum	35μmol / s	1.9μmol / J	0.5   0.9
XGYPGL-T5F205-E22 XGYPGL-T5F705-E22	23*34*1478	22W	S: 180-265V U: 85-265V	R&B+Daylight Full Spectrum	44μmol / s	2μmol / J	0.5   0.9

 Rated Power and Photometric Data are Subjected to Changes for Customized Chips

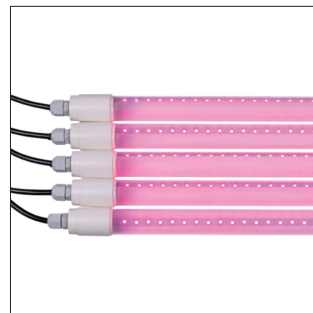
# Horticultural Lighting



IP65 T8 LED Tube



**IP65**  
PROTECTION  
LEVEL



05

CE ErP 



Model No. 产品规格	Dimension DxL(mm)	Rated Power 额定功率	Input Voltage 输入电压	Customized Lighting 定制光源方案	PPF 光合光子通量(400-700nm)	EFF(PPE) 光合光子通量效率(400-700nm)	PF 功率因素
XGYPGL-T8IP65-E9	Φ26*590	9W	S: 180-265V U: 85-265V	R&B+Daylight Full Spectrum	13.5μmol / s	1.5μmol / J	0.5   0.9
XGYPGL-T8IP65-E12	Φ26*895	12W	S: 180-265V U: 85-265V	R&B+Daylight Full Spectrum	21μmol / s	1.8μmol / J	0.5   0.9
XGYPGL-T8IP65-E18	Φ26*1199	18W	S: 180-265V U: 85-265V	R&B+Daylight Full Spectrum	35μmol / s	1.9μmol / J	0.5   0.9
XGYPGL-T8IP65-E22	Φ26*1499	22W	S: 180-265V U: 85-265V	R&B+Daylight Full Spectrum	42μmol / s	1.9μmol / J	0.5   0.9

Rated Power and Photometric Data are Subjected to Changes for Customized Chips

# Horticultural Lighting



## LED Filament & PAR Bulb



A60 OFF



A60 ON

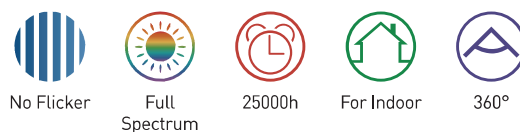


BR30



PAR38

06



Model No. 产品规格	Dimension DxH(mm)	Rated Power 额定功率	Input Voltage 输入电压	Customized Lighting 定制光源方案	PPF 光合光子通量(400-700nm)	EFF(PPE) 光合光子通量效率(400-700nm)	PF 功率因素
XGYA60(A19)-E4	Φ60*108	4W	S: 180-265V U: 85-265V	R&B+Daylight Full Spectrum	7μmol / s	1.8μmol / J	0.5   0.9
XGYA60(A19)-E6	Φ60*108	6W	S: 180-265V U: 85-265V	R&B+Daylight Full Spectrum	10.5μmol / s	1.8μmol / J	0.5   0.9
XGYA60(A19)-E8	Φ60*108	8W	S: 180-265V U: 85-265V	R&B+Daylight Full Spectrum	14μmol / s	1.8μmol / J	0.5   0.9
XGYPGL-BR30-E10	Φ56*130	10W	S: 180-265V U: 85-265V	R&B+Daylight Full Spectrum	17μmol / s	1.7μmol / J	0.5   0.9
XGYPGL-PAR38-1-E18	Φ125*135	18W	S: 180-265V U: 85-265V	R&B+Daylight Full Spectrum	32μmol / s	1.8μmol / J	0.5   0.9
XGYPGL-PAR38-2-E18	Φ122*128	18W	S: 180-265V U: 85-265V	R&B+Daylight Full Spectrum	32μmol / s	1.8μmol / J	0.5   0.9
XGYPGL-PAR38-3-E18	Φ120*107	18W	S: 180-265V U: 85-265V	R&B+Daylight Full Spectrum	32μmol / s	1.8μmol / J	0.5   0.9
XGYPGL-PAR38-4-E30	Φ120*135	30W	S: 180-265V U: 85-265V	R&B+Daylight Full Spectrum	50μmol / s	1.7μmol / J	0.5   0.9

Rated Power and Photometric Data are Subjected to Changes for Customized Chips

# Horticultural Lighting



## LED Flood Light & UFO



FL-E200

UFO



FL-E50



FL-E100



FL-E150



FUO

CE ErP 



No Flicker



Full Spectrum



25000h



For Indoor



120°

07

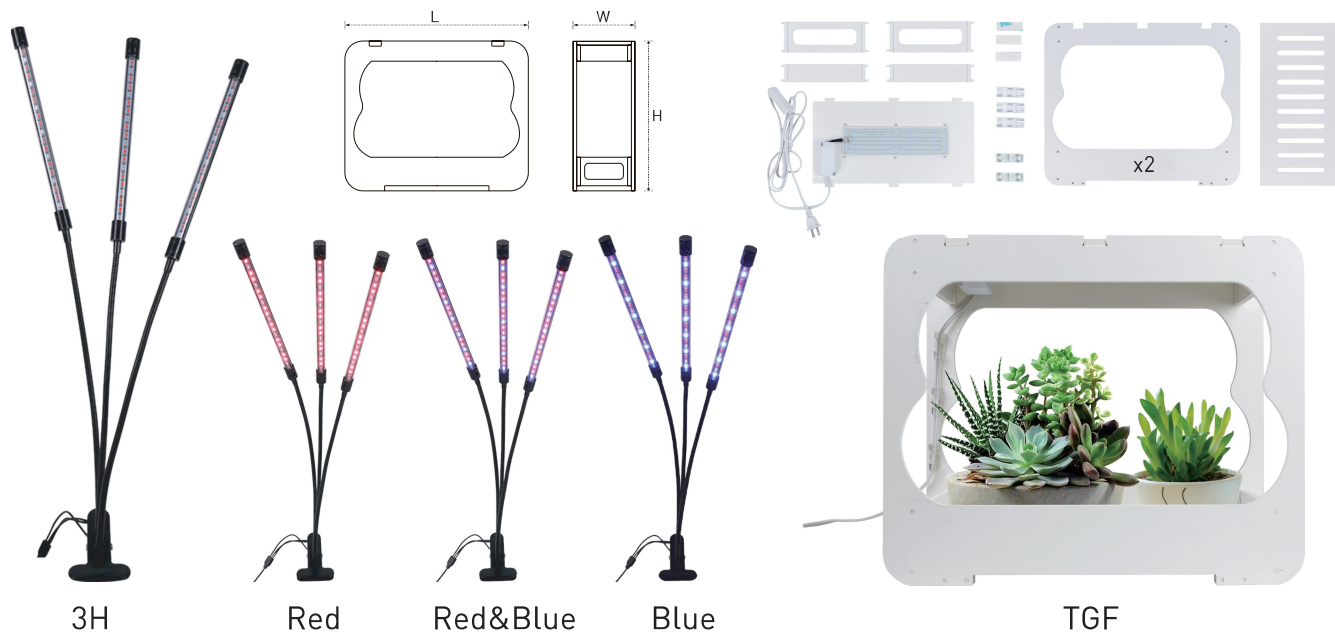
Model No. 产品规格	Dimension (L*W*H)/D(mm)	Rated Power 额定功率	Input Voltage 输入电压	Customized Lighting 定制光源方案	PPF 光合光子通量(400-700nm)	EFF(PPE) 光合光子通量效率(400-700nm)	PF 功率因素
XGYPGL-FL-E50	235*230*50	50W	U: 85-265V	R&B+Daylight Full Spectrum	85μmol / s	1.7μmol / J	0.5
XGYPGL-FL-E100	290*325*50	100W	U: 85-265V	R&B+Daylight Full Spectrum	150μmol / s	1.5μmol / J	0.5
XGYPGL-FL-E150	425*325*55	150W	U: 85-265V	R&B+Daylight Full Spectrum	180μmol / s	1.2μmol / J	0.5
XGYPGL-FL-E200	525*325*52	200W	U: 85-265V	R&B+Daylight Full Spectrum	240μmol / s	1.2μmol / J	0.5
XGYPGL-UFO-E100	Φ300	100W	U: 85-265V	R&B+Daylight Full Spectrum	200μmol / s	2μmol / J	0.9
XGYPGL-UFO-E150	Φ365	150W	U: 85-265V	R&B+Daylight Full Spectrum	300μmol / s	2μmol / J	0.9
XGYPGL-UFO-E200	Φ420	200W	U: 85-265V	R&B+Daylight Full Spectrum	400μmol / s	2μmol / J	0.9

 Rated Power and Photometric Data are Subjected to Changes for Customized Chips

# Horticultural Lighting



## LED Table Growing Fixture



3H

Red

Red&Blue

Blue

TGF

CE ErP 



No Flicker



Full Spectrum



25000h



For Indoor



160°/360°

Model No. 产品规格	Dimension LxWxH(mm)	Rated Power 额定功率	Input Voltage 输入电压	Customized Lighting 定制光源方案	PPF 光合光子通量(400-700nm)	EFF(PPE) 光合光子通量效率(400-700nm)	PF 功率因素
XGYPGL-TGF-E14	384*174*320	14W	U: 100-265V	R&B+Daylight Full Spectrum	17 $\mu$ mol / s	1.1 $\mu$ mol / J	0.5
XGYPGL-3H-E10	245*380	10W	AC:100-240V DC:5V 3A	R&B	9 $\mu$ mol / s	0.9 $\mu$ mol / J	0.5

Rated Power and Photometric Data are Subjected to Changes for Customized Chips

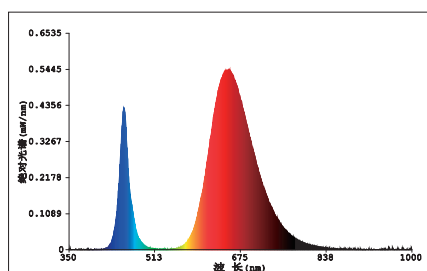
# Horticultural Lighting



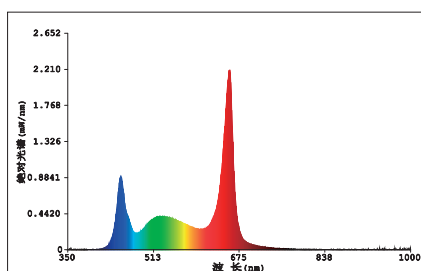
## Spectrum Available

### Features:

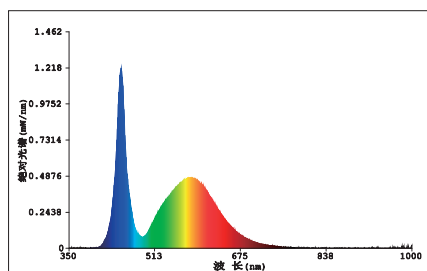
- ☒ LED Light Source and Phosphor Powder Control to Achieve Desired Spectrum
- ☒ Pre-defined Full Spectrum Light Source, Suitable for Almost ALL Plants
- ☒ Chips For Vegetables / Flowers / Grow Seedlings / Fruits / Succulent / Rhizomatous
- ☒ Chips Formulation Can Support Almost All Lighting Fixtures
- ☒ Chips Arrangement Can be Customized, or Evenly Distributed



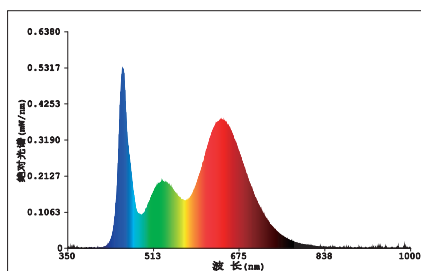
Vegetables



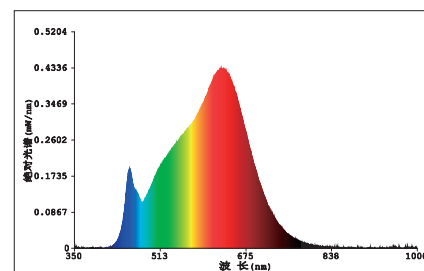
Cruciferae



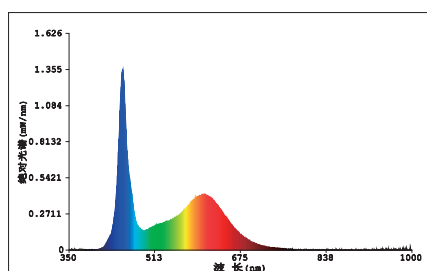
Grow Seedlings



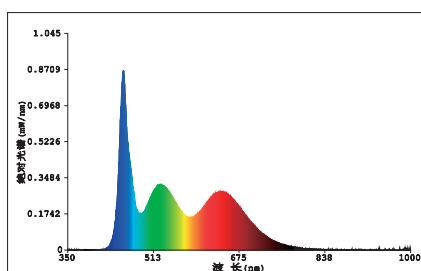
Fruits Bast | Vegetables



Cannabis Flowers



Succulent Plants



Rhizomatous plants

Model No. 产品规格	SMD LED规格	Target Plants 适用植物	Photons 光子(380-780nm)	Photons 光子(380-600nm)	Photons 光子(500-700nm)	PPF 光合光子通量(400-700nm)	EFF(PPE) 光合光子通量效率(400-700nm)
Full Spectrum Chips (1ALUs)	2835	Vegetables	3.4e-1μmol / s/s	4.9e-1μmol / s/s	2.4e-1μmol / s/s	0.28μmol/s	1.58μmol/J
Full Spectrum Chips (1ALUs)	2835	Cruciferae	6.2e-1μmol / s/s	2.6e-1μmol / s/s	5.0e-1μmol / s/s	0.60μmol/s	1.98μmol/J
Full Spectrum Chips (1ALUs)	2835	Grow Seedlings	4.0e-1μmol / s/s	2.9e-1μmol / s/s	2.8e-1μmol / s/s	0.40μmol/s	2.18μmol/J
Full Spectrum Chips (1ALUs)	2835	Fruits Bast/Vegetables	3.3e-1μmol / s/s	1.3e-1μmol / s/s	2.4e-1μmol / s/s	0.30μmol/s	1.68μmol/J
Full Spectrum Chips (1ALUs)	2835	Cannabis Flowers	3.7e-1μmol / s/s	1.6e-1μmol / s/s	3.1e-1μmol / s/s	0.34μmol/s	1.95μmol/J
Full Spectrum Chips (1ALUs)	2835	Succulent Plants	3.9e-1μmol / s/s	2.5e-1μmol / s/s	2.5e-1μmol / s/s	0.38μmol/s	2.1μmol/J
Full Spectrum Chips (1ALUs)	2835	Rhizomatous plants	3.5e-1μmol / s/s	2.0e-1μmol / s/s	2.3e-1μmol / s/s	0.32μmol/s	1.87μmol/J